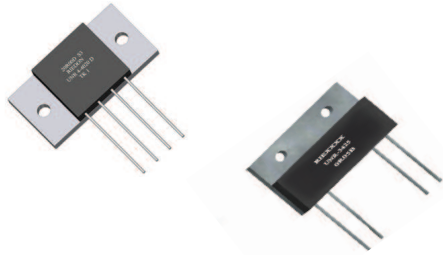


USR UNR 4-3425 4020

Precision Shunt Resistors



- Resistances from 0.05 Ohm to 650 Ohms
- Power Rating to 50Watt
- Resistance Tolerances to $\pm 0.01\%$
- TCR to $\pm 1\text{ppm/K}$
- Load Stability to 0.01%
- Backplate Isolated from Leads

SPECIFICATIONS

Type	USR 4-3425	USR 4-4020	UNR 4-3425	UNR 4-4020
Resistance Range (OHM)	0.05 - 650	0.05 - 100	0.05 - 650	0.05 - 100
	other resistance values upon request / power rating depending on resistance value			
Power rating free air 70°C with heatsink	3 W 30 W	2.5 W 30 W	3 W 50 W	2.5 W 50 W
Thermal Resistance Rthj-c	3.5 K/W	3.6 K/W	2.1 K/W	2.2 K/W
Tolerances from 0.05 Ohms from 10.0 Ohms from 50.0 Ohms	0.1% / 0.25% / 0.5% / 1% 0.05% / 0.1% / 0.25% / 0.5% / 1% 0.01% / 0.02% / 0.05% / 0.1% / 0.25% / 0.5% / 1%			
Stability	0.01%			
Shelf Life Stability	25ppm / ΔR after 1 year 50ppm / ΔR after 3 year			
Temperature Coefficient	max. $\pm 5\text{ppm/K}$ (-55 to 155°C) typ. $\pm 3\text{ppm/K}$ (-55 to 125°C) upon request $\pm 1\text{ppm/K}$ (0°C to 60°C)			
Voltage Proof	750 VDC			
max. Current	15 A			
Thermal EMF	< 0.1 $\mu\text{V/K}$			
Operating Temperature Range	-55 to 155°C			
Resistor Material	NiCr-Foil			
Substrate	Al_2O_3		AlN	
Housing	Epoxy + Al-heatsink			
Connector Material	Cu tinned			
Terminals	4			
Max. Torque	1.0 Nm			
Notes				Specially designed for applications with fast changing electrical load

Ordering Information

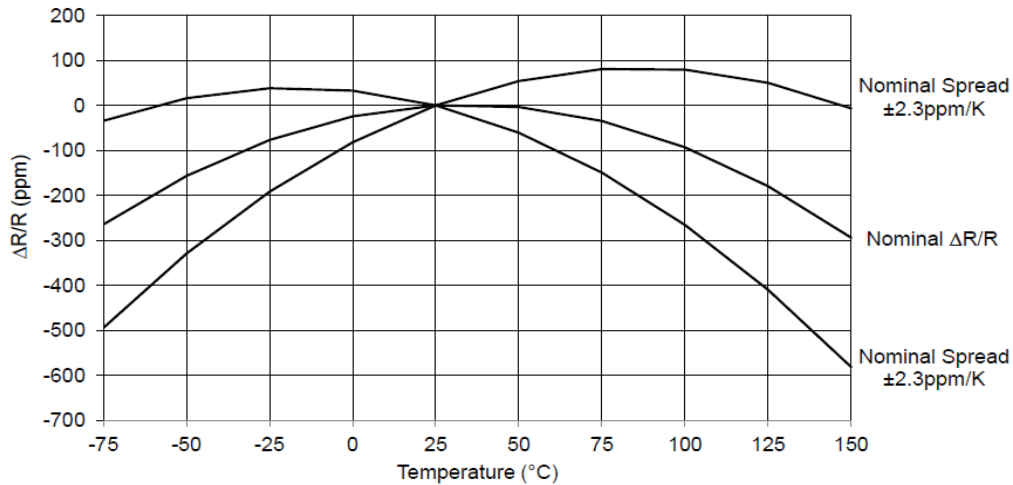
Part Description: Part Type - Resistance - Contact - Tolerance - TCR

Example: USR 4-3425 10 Ohm D 0.5% 3ppm

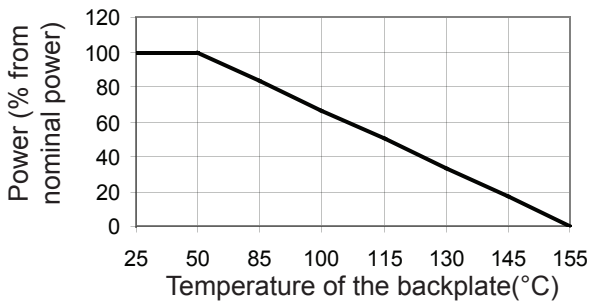


SPECIFICATIONS (continued)

Temperature Coefficient



Derating



Power Rating Notes -

The U-Series Resistors must be attached to a suitable heatsink. The maximum internal resistor temperature is 155°C.

To specify an appropriate heatsink use the following formula :

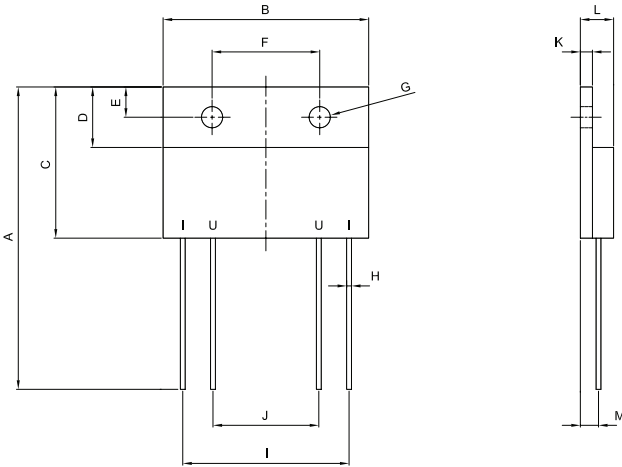
$$R_{\theta H} = \frac{T_{MAX} - (P \times R_{\theta R}) - T_A}{P}$$

Where: $R_{\theta H}$ = Thermal Resistance of Heatsink (K/W)
 $R_{\theta R}$ = Thermal Resistance of Resistor (K/W)
 T_{MAX} = Maximum Temperature of Resistor
 T_A = Ambient Temperature of Heatsink (°C)
 P = Power Through Resistor (W)

SPECIFICATIONS (continued)

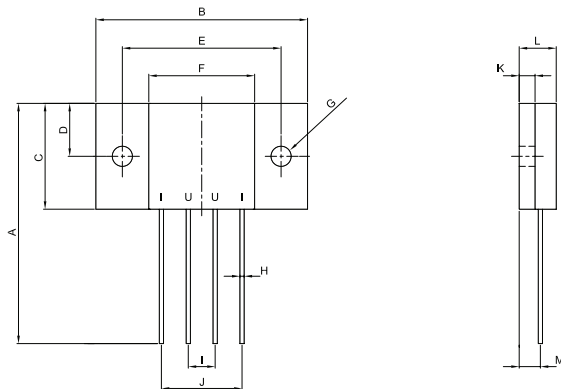
Dimensions

USR 4-3425 / UNR 4-3425



Dimension	mm	tol. (±mm)	inches	tol. (±inches)
A	50.00	2.0	1.97	0.079
B	34.00	0.3	1.34	0.012
C	25.00	0.2	0.98	0.008
D	10.00	0.2	0.39	0.008
E	5.00	0.1	0.20	0.004
F	17.80	0.2	0.70	0.008
G	Ø3.50	0.1	Ø0.14	0.004
H	Ø0.8	0.1	Ø0.031	0.004
I	27.50	0.2	1.08	0.008
J	17.50	0.2	0.69	0.008
K	2.00	0.1	0.08	0.004
L	4.50	0.1	0.18	0.004
M	3.00	0.2	0.12	0.008

USR 4-4020 / UNR 4-4020



Dimension	mm	tol. (±mm)	inches	tol. (±inches)
A	45.40	2.0	1.79	0.079
B	40.00	0.3	1.57	0.012
C	20.00	0.2	0.79	0.008
D	10.00	0.2	0.39	0.008
E	30.00	0.2	1.18	0.008
F	20.00	0.2	0.79	0.008
G	Ø3.80	0.1	Ø0.15	0.004
H	Ø0.8	0.1	Ø0.031	0.004
I	5.08	0.1	0.20	0.004
J	15.24	0.2	0.60	0.008
K	3.00	0.1	0.12	0.004
L	7.00	0.1	0.28	0.004
M	4.00	0.1	0.16	0.004