

NFB Series

Deltec ANL Fuse Block



- **Current Rating 50 to 500 Amps**
- **Includes Limiter Style Fuse as Standard**
- **Stainless Steel Hardware**
- **Common Applications:**
*Solar Generators, Wind Power,
 Heavy Industry, Electroplating,
 Battery Chargers, Mining*

SPECIFICATIONS			
Type	Rated Current (A)	Type	Rated Current (A)
NFB-50	50	NFB-225	225
NFB-60	60	NFB-250	250
NFB-80	80	NFB-275	275
NFB-100	100	NFB-300	300
NFB-125	125	NFB-325	325
NFB-130	130	NFB-350	350
NFB-150	150	NFB-400	400
NFB-175	175	NFB-500	500
NFB-200	200		
Rated Current Range			
	NFB: 50 to 500 amps		
Operating Temp.			
	-40°C to +60°C		
Storage Temp.			
	-55°C to +80°C		
Dielectric Strength			
	750VDC (Terminal Block to Base)		
Materials			
	Base: Heavy Duty Phenolic Cover: Clear Touch Save Polycarbonate with Nylon Acorn Nuts Hardware: 18-8 Stainless Steel		

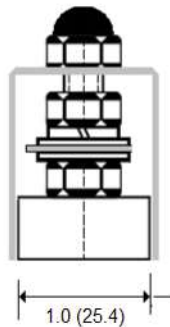
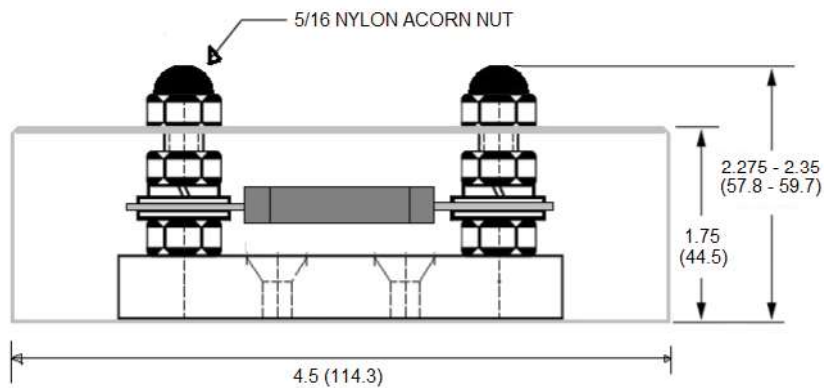
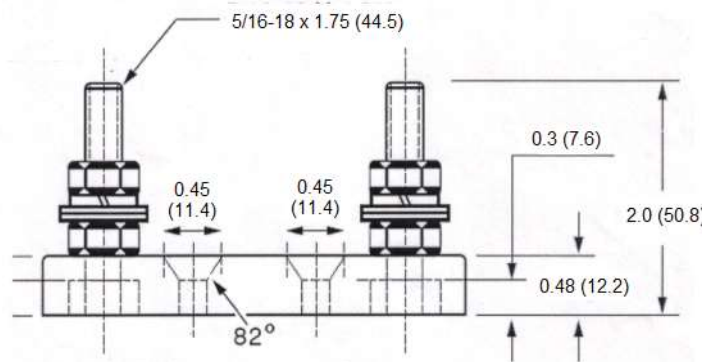
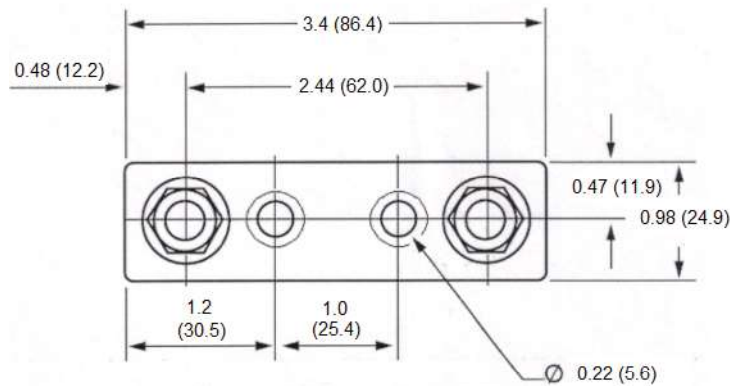
Ordering Information

Part Description: Part Type - Rated current (leave blank for no fuse)

Example: **NFB-100**

NFB Series

Deltec ANL Fuse Block



SHOWN WITH FUSE OPTION

- 2 EA 5/16-18 HEX TAP BOLT 18-8 SS
- 4 EA 5/16 NUT 18-8 SS
- 4 EA 5/16 FLAT WASHER 18-8 SS
- 2 EA 5/16 LOCK WASHER 18-8 SS
- 2 EA 5/16 NYLON ACORN NUT

DIMENSIONS IN INCHES
TOLERANCES 0.015 HOLE DIAMETERS
OTHER TOLERANCES 0.030 UNLESS NOTED